

SPECIFICATION MODEL CX-800N



IMPEDANCE 50 Ohms.

VOLTAGE

Pull in 10Vdc-14Vdc(12Vdc Nominal)
Drop out 3.0Vdc Min.
Current 226mA @12Vdc 20
Coil resistance 53 Ohms 10% @ 20

SWITCHING TIME

Pull in 20ms max.
Drop out 15ms max.
LIFE EXPECTANCY 1,000,000. Operation min.

MECHANICAL

Contact arrangement DPDT
Operational temperature -25 to +50 (Max Temperature Rise:20)
Weight Approx 365gs.
Mounting 2 MTG holes
Cable connections 6N Type female connectors.

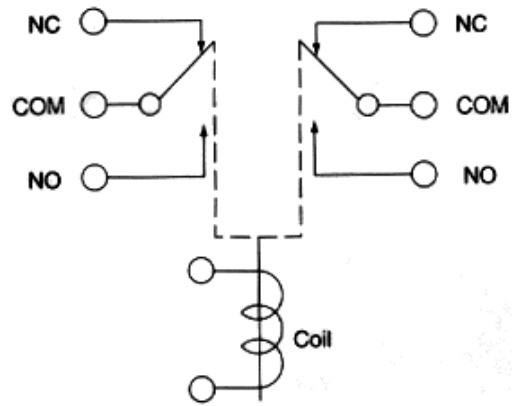
ELECTRICAL CHARACTERISTICS

Frequency [MHz]	VSWR [Max]	Isolation [-dB(min)]	Ins.Loss [-dB(max)]	IN PUT RF Power [W(PEP)]
50	1.1	50	0.15	1000
150	1.15	48	0.15	1000
500	1.15	37	0.2	800
1000	1.18	28	0.2	500
1500	1.2	26	0.2	350
2000	1.3	23	0.3	150

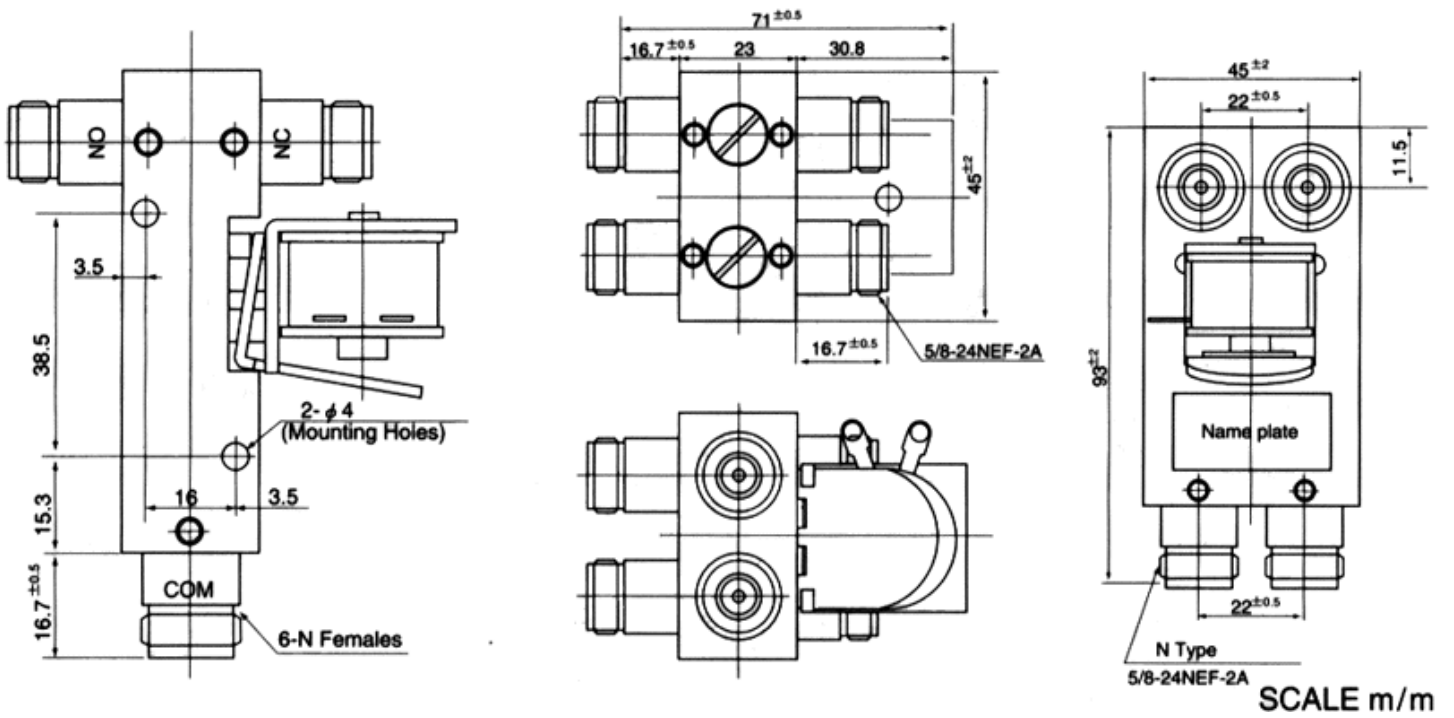
COIL CHARACTERISTICS

Nominal Voltage Voltage Range Resistance Ohms
12Vdc 10Vdc - 14Vdc 53 ± 10% 20

Schematic



DIMENSIONS



Specifications are subject to change without notice.

Question & comments? info@tohtsu.com
send mail