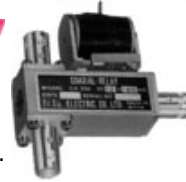


# **SPECIFICATION MODEL CX-230**



IMPEDANCE ..... 50 Ohms.

---

## **VOLTAGE**

Pull in ..... 10Vdc-14Vdc(12Vdc Nominal)  
Drop out ..... 3.0Vdc Min.  
Current ..... 136mA @12Vdc 20  
Coil resistance ..... 88 Ohms 10% 20

---

## **SWITCHING TIME**

Pull in ..... 20ms max.  
Drop out ..... 15ms max.  
LIFE EXPECTANCY ..... 1,000,000. Operation min.

---

## **MECHANICAL**

Contact arrangement ..... SPDT  
Operational temperature ..... -25 to +50 (Max Temperature Rise:20 )  
Weight ..... Approx 230gs.  
Mounting ..... Two screws  
Cable connections ..... 3 BNC Type female connectors

---

## **ELECTRICAL CHARACTERISTICS**

Frequency [MHz]	VSWR [Max]	Isolation [-dB(min)]	Ins.Loss [-dB(max)]	IN PUT RF Power [W]
50	1.05	56	0.05	300
150	1.1	42	0.05	300
500	1.15	30	0.1	300
1000	1.3	24	0.2	200

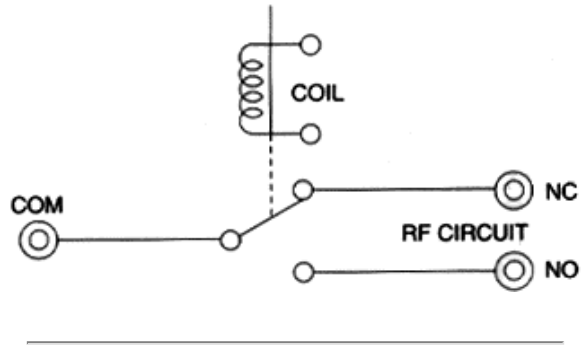
---

## **COIL CHARACTERISTICS**

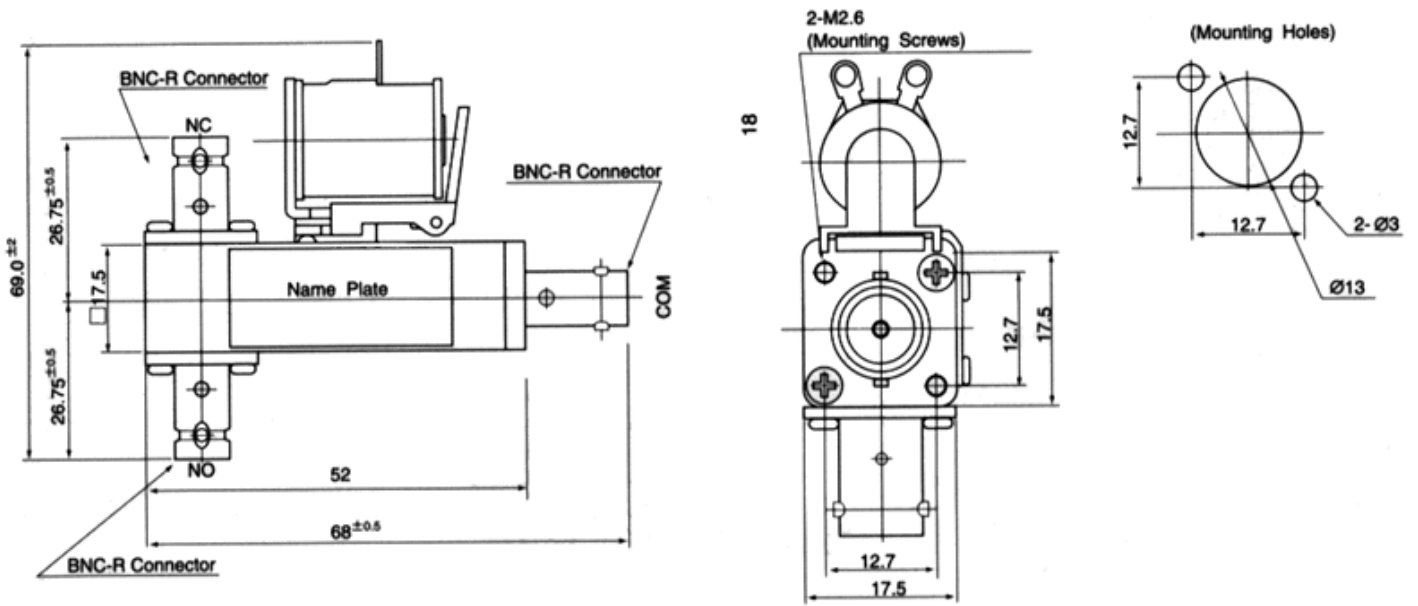
Nominal Voltage    Voltage Range    Resistance Ohms  
12Vdc            10Vdc - 14Vdc    88 ± 10% 20  
Note : Other voltages are also available at option.

---

## Schematic



## DIMENSIONS



SCALE m/m

Specifications are subject to change without notice.

Question & comments? [info@tohtsu.com](mailto:info@tohtsu.com)  
send mail